

OHIO PINTO

Spring Fling



Pattern Book
April 5-7, 2024
Garwood



Pinto Horse Association Of Ohio 2024 ShowBill



April 5-7, 2024

FRIDAY 9:00 AM

- 1 Color Ranch Pleasure
- 2 Solid Ranch Pleasure
- 3 AM Color Ranch Pleasure
- 4 AM Solid Ranch Pleasure
- 5 YA Color Ranch Pleasure
- 6 YA Solid Ranch Pleasure
- 7 Color Ranch Riding
- 8 Solid Ranch Riding
- 9 AM Color Ranch Riding
- 10 AM Solid Ranch Riding
- 11 YA Color Ranch Riding
- 12 YA Solid Ranch Riding
- 13 Color Ranch Ideal
- 14 Solid Ranch Ideal
- 15 AM Color Ranch Ideal
- 16 AM Solid Ranch Ideal
- 17 YA Color Ranch Ideal
- 18 YA Solid Ranch Ideal
- 19 Color Ranch Conformation
- 20 Solid Ranch Conformation
- 21 AM Color Ranch Conformation
- 22 AM Solid Ranch Conformation
- 23 YA Color Ranch Conformation
- 24 YA Solid Ranch Conformation

WILL NOT START BEFORE 10:00AM

CLASSES 25-29 WORK AT WILL

- 25 Color Pony Trail In Hand
- 26 Color Mini Trail In Hand
- 27 Solid Mini Trail In Hand
- 28 AM Color P/M Trail In Hand
- 29 YA Color P/M Trail In Hand

WILL NOT START BEFORE 11:00 AM

CLASSES 30-43 WORK AT WILL

- 30 Color Yearling Trail In Hand
- 31 Solid Yearling Trail In Hand
- 32 Color Horse Trail
- 33 Solid Horse Trail
- 34 AM Color Trail
- 35 AM Solid Trail
- 36 YA Color Trail
- 37 YA Solid Trail
- 38 AM Color W/T Trail
- 39 AM Solid W/T Trail
- 40 YA Color W/T Trail 11-18
- 41 YA Solid W/T Trail 11-18
- 42 YA Color W/T Trail 10 & Under
- 43 YA Solid W/T Trail 10 & Under

WILL NOT START BEFORE 2:00 PM

- 44 Color Obstacle Driving Mini
- 45 Solid Obstacle Driving Mini
- 46 AM Color Obstacle Driving P/M
- 47 YA Color Obstacle Driving P/M
- 48 Color Pony Pleasure Driving
- 49 Color Pony Ideal Pleasure Driving
- 50 Solid Mini Pleasure Driving
- 51 Solid Mini Disciplined Rail Driving
- 52 Color Mini Pleasure Driving
- 53 Color Mini Disciplined Rail Driving
- 54 Color Mini Ideal Pleasure Driving

October 18-20, 2024

WILL NOT START BEFORE 5:00 PM

- 55 Stock Halter Mares All Ages
- 56 Grand & Res. Stock Mares All Ages
- 57 Stock Halter G/S All Ages
- 58 Grand & Res. Stock G/S All Ages
- 59 Hunter Halter Mares All Ages
- 60 Grand & Res. Hunter Halter Mares All Ages
- 61 Hunter Halter G/S All Ages
- 62 Grand & Res. Hunter Halter G/S All Ages
- 63 Pleasure Saddle Halter Mares All Ages
- 64 Grand & Res. PL/SD Halter Mares All Ages
- 65 PL/SD Halter G/S All Ages
- 66 Grand & Res. PL/SD Halter G/S All Ages
- 67 Solid Registry Halter All Ages/Sexes/Types
- 68 Grand & Res. Solid Registry Halter
- 69 Tobiano Color Horse All Types
- 70 Overo Color Horse All Types
- 71 AM Tobiano Color Horse
- 72 AM Overo Color Horse
- 73 YA Tobiano Color All Types
- 74 YA Overo Color All Types
- 75 AM Solid Halter All Ages/Sexes/Types
- 76 AM Horse Halter Mares All Ages
- 77 AM Horse Halter G/S All Ages
- 78 YA Solid Halter All Ages/Sexes/Types
- 79 YA Horse Halter Mares All Ages
- 80 YA Horse Halter Geldings All Ages
- 81 Miniature Halter Mares
- 82 Grand & Res. Miniature Halter Mares
- 83 Miniature Halter G/S
- 84 Grand & Res. Miniature Halter G/S
- 85 Solid Miniature Halter All Ages/Sexes
- 86 Grand & Res. Solid Mini Halter
- 87 Pony Halter All Ages/Sexes/Types
- 88 Grand & Res. Pony Halter
- 89 AM P/M Halter All Sexes
- 90 YA P/M Halter All Sexes
- 91 Pony Color
- 92 Miniature Horse Color
- 93 AM P/M Horse Color

SATURDAY 7:30 AM

- 94 AM Solid Western Showmanship
- 95 AM JR Color Western Showmanship
- 96 AM SR Color Western Showmanship
- 97 AM Elite Color Western Showmanship
- 98 AM Color Western Showmanship P/M
- 99 AM Color W/T Western Showmanship
- 100 AM Solid W/T Western Showmanship
- 101 YA Color Western Showmanship P/M
- 102 YA Color Western Showmanship 13 & Under
- 103 YA Color Western Showmanship 14-18
- 104 YA Solid Western Showmanship 18 & Under
- 105 YA Color W/T Western Showmanship 11-18
- 106 YA Solid W/T Western Showmanship 11-18
- 107 YA Color W/T West. Showmanship 10&Under
- 108 YA Solid W/T West. Showmanship 10&Under
- 109 YA Lead-Line Showmanship 8 & Under
- 110 Color Yearling Lunge Line
- 111 Solid Yearling Lunge Line

Garwood Arena

BREAK

- 112 AM Color W/T English Showmanship
- 113 AM Solid W/T English Showmanship
- 114 AM Color English Showmanship P/M
- 115 AM Solid English Showmanship
- 116 AM JR Color English Showmanship
- 117 AM SR Color English Showmanship
- 118 AM Elite Color English Showmanship
- 119 YA Color English Showmanship 13 & Under
- 120 YA Color English Showmanship 14-18
- 121 YA Solid English Showmanship 18 & Under
- 122 YA Color W/T English Showmanship 11-18
- 123 YA Solid W/T English Showmanship 11-18
- 124 YA Color W/T Eng. Showmanship 10&Under
- 125 YA Solid W/T Eng. Showmanship 10&Under

BREAK

- 126 Open Color Hunter In Hand Miniature
- 127 AM Color Hunter In Hand P/M
- 128 YA Color Hunter In Hand P/M
- 129 Solid Miniature A & B Hunter In Hand
- 130 Solid Miniature A & B Jumping In Hand
- 131 Color Jumping In Hand Miniature
- 132 AM Color Jumping In Hand P/M
- 133 YA Color Jumping In Hand P/M

BREAK

- 134 Color Hunter Under Saddle
- 135 Solid Hunter Under Saddle
- 136 AM Color Hunter Under Saddle
- 137 AM Solid Hunter Under Saddle
- 138 YA Color Hunter Under Saddle
- 139 YA Solid Hunter Under Saddle
- 140 AM Color W/T English Pleasure
- 141 AM Solid W/T English Pleasure
- 142 YA Color W/T English Pleasure 11-18
- 143 YA Solid W/T English Pleasure 11-18
- 144 YA Color W/T English Pleasure 10 & Under
- 145 YA Solid W/T English Pleasure 10 & Under
- 146 Color English Pleasure Stock Type
- 147 Color English Pleasure Hunter Type
- 148 Color English Pleasure PL/SD Type
- 149 Solid English Pleasure
- 150 AM JR Color English Pleasure
- 151 AM SR Color English Pleasure
- 152 AM Elite Color English Pleasure
- 153 Am Solid English Pleasure
- 154 YA Color English Pleasure 13 & Under
- 155 YA Color English Pleasure 14-18
- 156 YA Solid English Pleasure 18 & Under
- 157 Color English Pleasure JR Horse
- 158 Color English Pleasure SR Horse
- 159 Solid English Pleasure JR Horse
- 160 Solid English Pleasure Sr Horse
- 161 YA Color W/T Eng. Equitation 10 & Under
- 162 YA Solid W/T Eng. Equitation 10 & Under
- 163 Color Disciplined Rail English
- 164 Solid Disciplined Rail English
- 165 AM Color Disciplined Rail English
- 166 AM Solid Disciplined Rail English



Pinto Horse Association Of Ohio

2024 ShowBill

April 5-7, 2024

October 18-20, 2024



Garwood Arena

- 167 AM Color W/T Disciplined Rail English
- 168 AM Solid W/T Disciplined Rail English
- 169 YA Color Disciplined Rail English
- 170 YA Solid Disciplined Rail English
- 171 YA Color W/T Disciplined Rail English 11-18
- 172 YA Solid W/T Disciplined Rail English 11-18
- 173 Color Ideal Pinto English All Types
- 174 Solid Ideal English
- 175 AM Color Ideal Pinto English All Types
- 176 AM Solid Ideal English
- 177 AM Color W/T Ideal Pinto English
- 178 AM Solid W/T Ideal English
- 179 YA Color Ideal Pinto English All Types
- 180 YA Solid Ideal English
- 181 YA Color W/T Ideal Pinto English 11-18
- 182 YA Solid W/T Ideal English 11-18

BREAK

- 183 AM Color W/T English Equitation
- 184 AM Solid W/T English Equitation
- 185 YA Color W/T English Equitation 11-18
- 186 YA Solid W/T English Equitation 11-18
- 187 AM JR Color English Equitation
- 188 AM SR Color English Equitation
- 189 AM Elite Color English Equitation
- 190 AM Solid English Equitation
- 191 YA Color English Equitation 13 & Under
- 192 YA Color English Equitation 14-18
- 193 YA Solid English Equitation 18 & Under

SUNDAY 7:30 AM

- 194 Color Pleasure Driving Horse
- 195 Color Pleasure Driving Ideal Horse
- 196 AM Color Pleasure Driving P/M
- 197 YA Color Pleasure Driving P/M
- 198 AM Color Reinsmanship P/M
- 199 YA Color Reinsmanship P/M
- 200 AM Color Disciplined Rail Driving P/M
- 201 YA Color Disciplined Rail Driving P/M
- 202 AM Color Ideal Pinto Driving P/M
- 203 YA Color Ideal Pinto Driving P/M
- 204 YA Lead-Line 8 & Under

BREAK

- 205 AM Color W/T Western Pleasure
- 206 AM Solid W/T Western Pleasure
- 207 YA Color W/T Western Pleasure 11-18
- 208 YA Solid W/T Western Pleasure 11-18
- 209 YA Color W/T Western Pleasure 10 & Under
- 210 YA Solid W/T Western Pleasure 10 & Under
- 211 Color Western Pleasure Stock Type
- 212 Color Western Pleasure Hunter Type
- 213 Color Western Pleasure PL/SD Type
- 214 Solid Registry Western Pleasure
- 215 AM JR Color Western Pleasure
- 216 AM SR Color Western Pleasure
- 217 AM Elite Color Western Pleasure

- 218 AM Solid Western Pleasure
- 219 YA Color Western Pleasure 13 & Under
- 220 YA Color Western Pleasure 14-18
- 221 YA Solid Western Pleasure 18 & Under
- 222 Color Western Pleasure JR Horse
- 223 Color Western Pleasure SR Horse
- 224 Solid Western Pleasure JR Horse
- 225 Solid Western Pleasure SR Horse
- 226 YA Color W/T Horsemanship 10 & Under
- 227 YA Solid W/T Horsemanship 10 & Under
- 228 Color Disciplined Rail Western
- 229 Solid Disciplined Rail Western
- 230 AM Color Disciplined Rail Western
- 231 AM Solid Disciplined Rail Western
- 232 AM Color W/T Disciplined Rail Western
- 233 AM Solid W/T Disciplined Rail Western
- 234 YA Color Disciplined Rail Western
- 235 YA Solid Disciplined Rail
- 236 YA Color W/T Disciplined Rail Western 11-18
- 237 YA Solid W/T Disciplined Rail Western 11-18
- 238 Color Ideal Pinto Western All Types
- 239 Solid Ideal Western
- 240 AM Color Ideal Pinto Western
- 241 AM Solid Ideal Western
- 242 AM Color W/T Ideal Pinto Western
- 243 AM Solid W/T Ideal Western
- 244 YA Color Ideal Pinto Western
- 245 YA Solid Ideal Western
- 246 YA Color W/T Ideal Pinto Western 11-18
- 247 YA Solid W/T Ideal Western 11-18
- 248 AM Color W/T Horsemanship
- 249 AM Solid W/T Horsemanship
- 250 YA Color W/T Horsemanship 11-18
- 251 YA Solid W/T Horsemanship 11-18
- 252 AM JR Color Horsemanship
- 253 AM SR Color Horsemanship
- 254 AM Elite Color Horsemanship
- 255 AM Solid Horsemanship
- 256 YA Color Horsemanship 13 & Under
- 257 YA Color Horsemanship 14-18
- 258 YA Solid Horsemanship 18 & Under

WEBSITE IS WWW.OHIOPINTO.NET

FIND US ON FACEBOOK
PtHAO-PINTO HORSE
ASSOCIATION OF OHIO

**SHAVINGS MUST BE PURCHASED
FROM GARWOOD ARENA
PAID TO PtHAO**

**NO OUTSIDE SHAVINGS ON THE
GROUNDS**

LEGEND

AM- Amateur

YA- Youth

PL/SD- Pleasure Saddle Type

P- Pony

M- Miniature Horse

W/T- Walk/Trot

**WALK/TROT EXHIBITORS MAY
NOT CROSS ENTER INTO
CANTER CLASSES**

**PLEASE USE THE SAME BACK
NUMBER FOR ENTIRE PtHAO
SHOW SEASON**

**MUST BE OHIO PINTO MEMBER
TO BE ELIGIBLE FOR THE
WEEKEND HIGH POINT AND
YEAR END AWARDS**

**PRE-ENTRIES MUST BE
POSTMARKED 10 DAYS PRIOR TO
SHOW DATE**

**ALL OWNER AND EXHIBITORS
MUST HAVE CURRENT
NATIONAL PINTO MEMBERSHIP
SHOW OFFICE NEEDS
COPY OF ALL CARDS**

**ALL HORSES MUST BE REGISTERED
PtHA SHOW OFFICE NEEDS
COPY OF PAPERS**

**NO REFUNDS ONCE THE SHOW
HAS STARTED**

**SHOW COMMITTEE RESERVES
THE RIGHT TO COMBINE/
CANCEL ANY CLASS.**

**ALL OUT OF STATE EQUINE
MUST HAVE A CURRENT
COGGINS**

REV. 11/11/2023

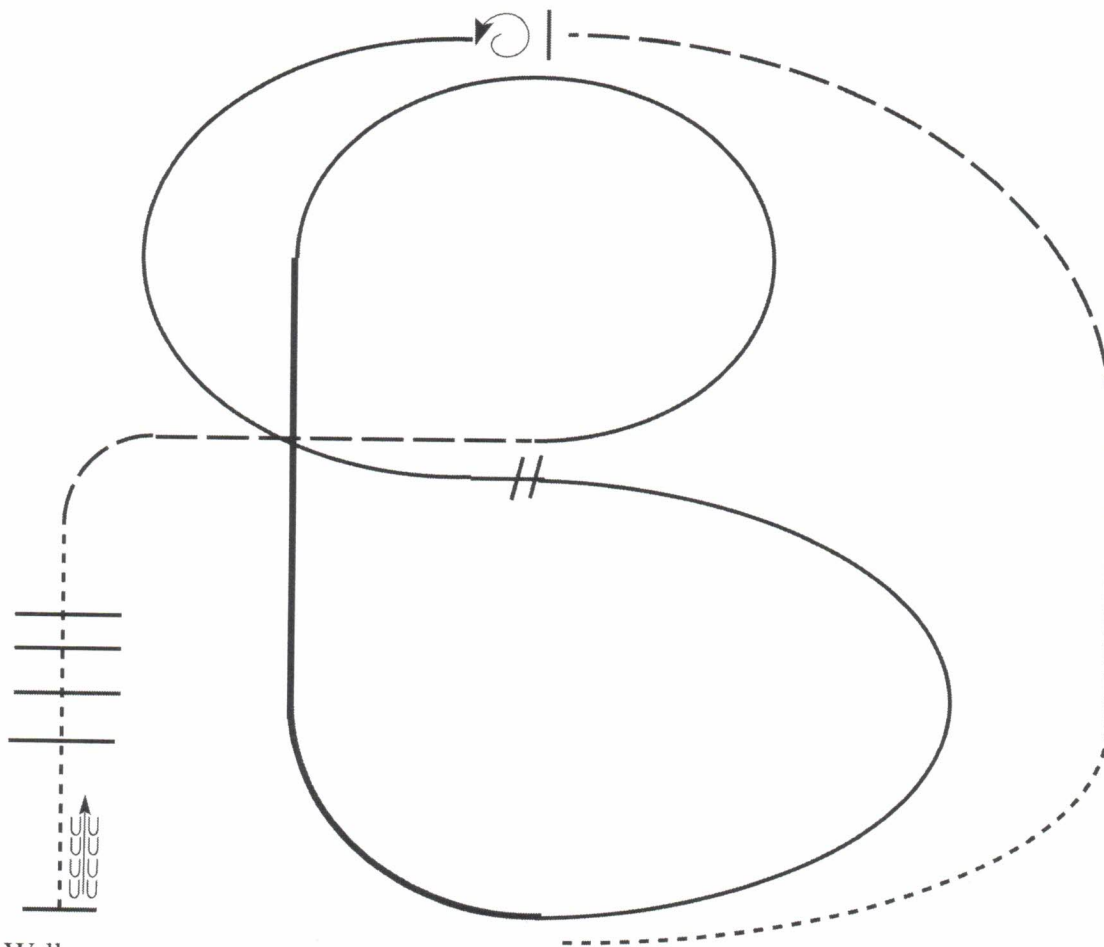
PtHAO Spring Fling

Ranch Riding (Classes- 7-12)

Show Date: 04-05-2024

www.HorseShowPatterns.com

www.HorseShowPatterns.com



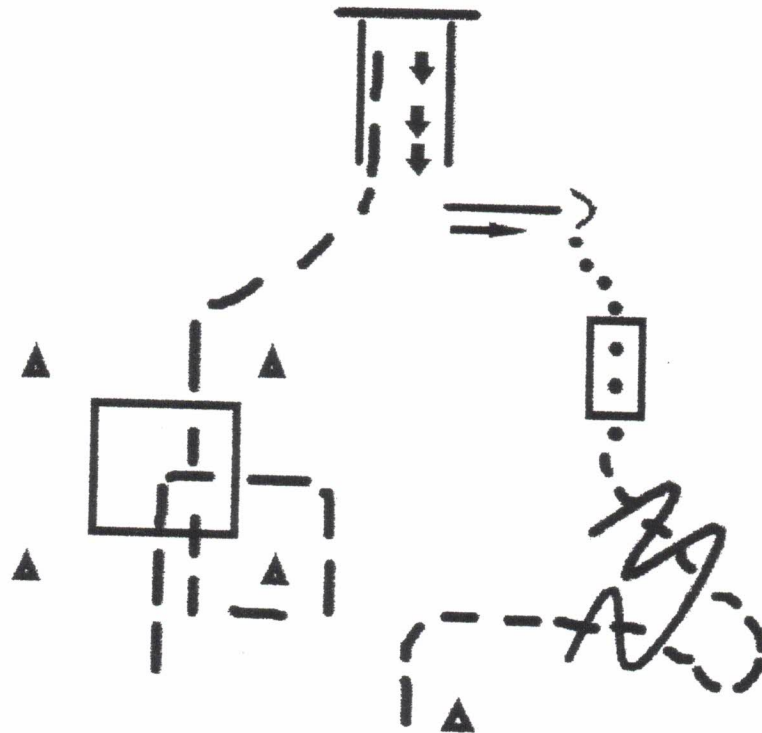
1. Walk
2. Trot
3. Extend the trot, at the top of the arena, stop
4. 360 degree turn to the left
5. Left lead 1/2 circle, lope to the center
6. Change leads (simple or flying)
7. Right lead 1/2 circle
8. Extended lope up the long side of arena (right lead)
9. Collect back to a lope around the top of the arena and back to center
10. Break down to an extended trot
11. Walk over poles.
12. Stop and back

Walk	-----
Jog	- - - - -
Extended Jog	-----
Lope	
Lead Change	///
Back	←
Marker	ⓑ

[RR/1]

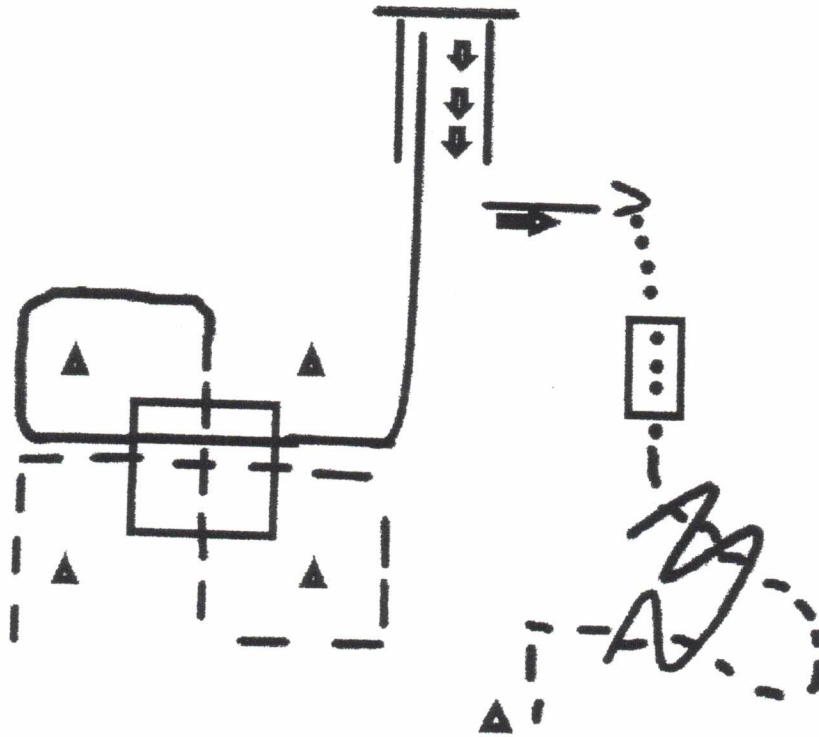
Pattern Provided by:
Pattern Committee

Trail In Hand Classes- 25-31



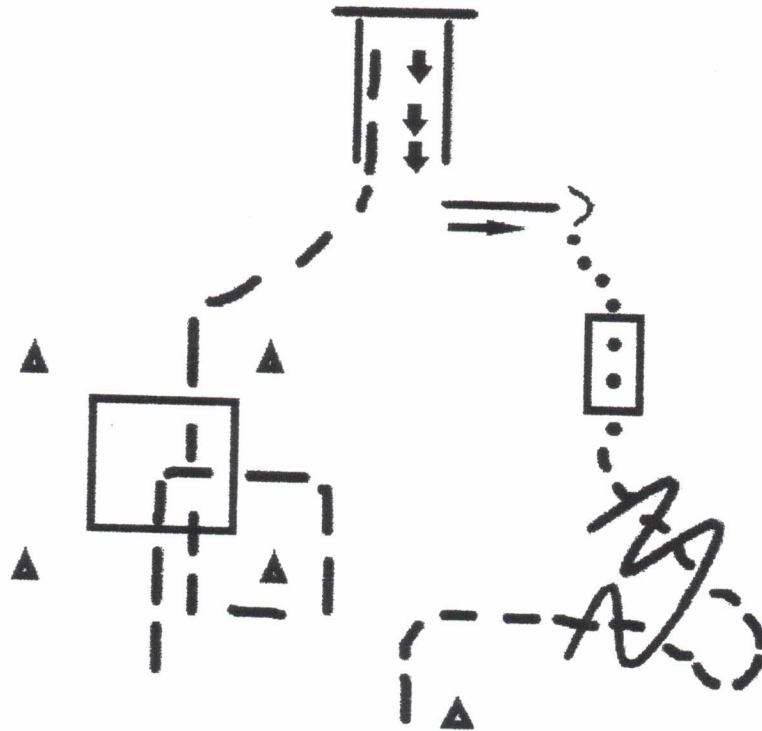
- 1.) Trot over poles and a square around cone up to chute
- 2.) Back out of chute
- 3.) Sidepass right, do a 180 degree turn
- 4.) Walk to and over bridge
- 5.) Trot over poles
- 6.) Stop at cone, Walk out.

Trail Classes- 32-37



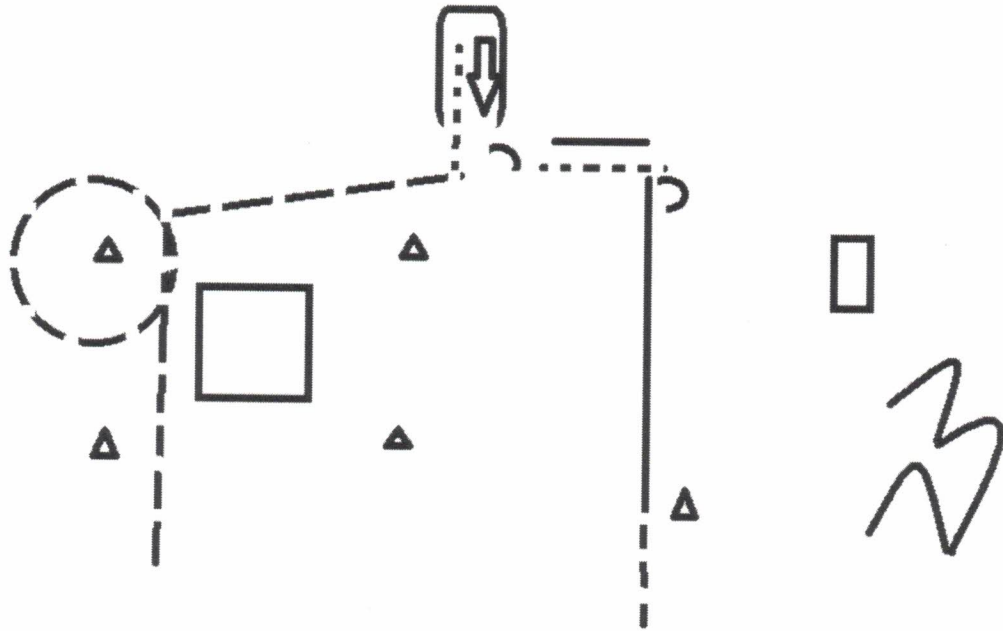
1. Trot over poles and around cone
2. Pick up left lead, around cone over poles, past cones
3. Perform lead change, right lead in to the chute
4. Stop and back out of the chute
5. Side pass to the right, and 180 degree turn
6. Walk to and over bridge
7. Trot over poles and to the cone
8. Stop and walk out

Walk/Trot Trail Classes- 38-43



- 1.) Trot over poles and a square around cone up to chute
- 2.) Back out of chute
- 3.) Sidepass right, do a 180 degree turn
- 4.) Walk to and over bridge
- 5.) Trot over poles
- 6.) Stop at cone, Walk out.

PtHAO- Spring Fling
Obstacle Driving



- 1.) Working Trot in and circle around second cone
- 2.) Working trot to chute, Walk in
- 3.) Back out of chute,
- 4.) Fan turn 90 to right, walk to end of pole,
- 5.) Fan turn 90 right
- 6.) Strong trot to end cone
- 7.) Working trot out

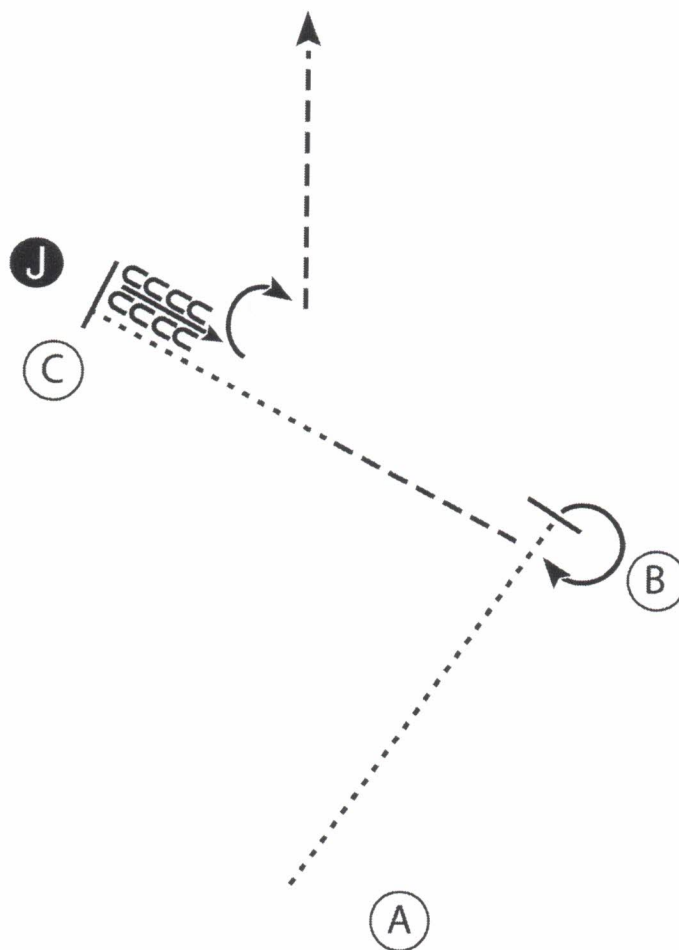
PtHAO Spring Fling

Western Showmanship (Classes- 94-98 - 101-108)

Show Date: 04-05-2024

www.HorseShowPatterns.com

www.HorseShowPatterns.com



1. Walk from A to B.
2. Stop and perform a 270 degree turn.
3. Trot half way to C, break to walk and walk to C.
4. Stop and set up for inspection.
5. When dismissed back four steps.
6. Perform a 90 degree turn and trot to line-up.

- Walk
- Trot - - - - -
- Back ←
- Marker (B)
- Judge (J)

[S/2-13]

Pattern Provided by:
Pattern Committee

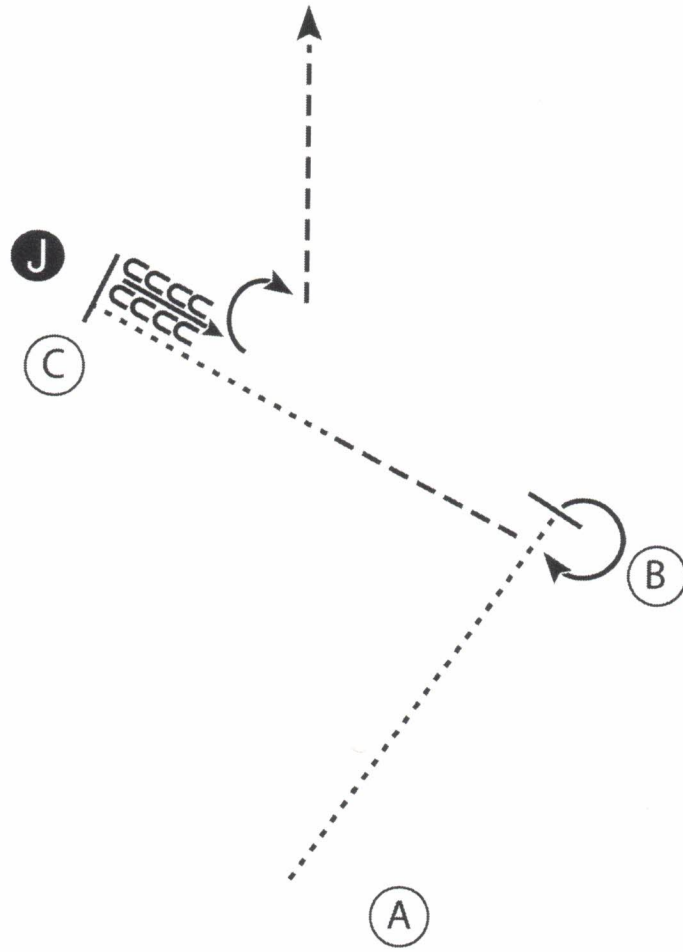
PtHAO Spring Fling

Am. W/T Western Showmanship (Ext. walk for Jog Classes 99-100)

Show Date: 04-05-2024

www.HorseShowPatterns.com

www.HorseShowPatterns.com



1. Walk from A to B.
2. Stop and perform a 270 degree turn.
3. Trot half way to C, break to walk and walk to C.
4. Stop and set up for inspection.
5. When dismissed back four steps.
6. Perform a 90 degree turn and trot to line-up.

- Walk
Trot - - - - -
Back ← [Backward Trot Symbol]
Marker (B)
Judge (J)

[S/2-13]

Pattern Provided by:
Pattern Committee

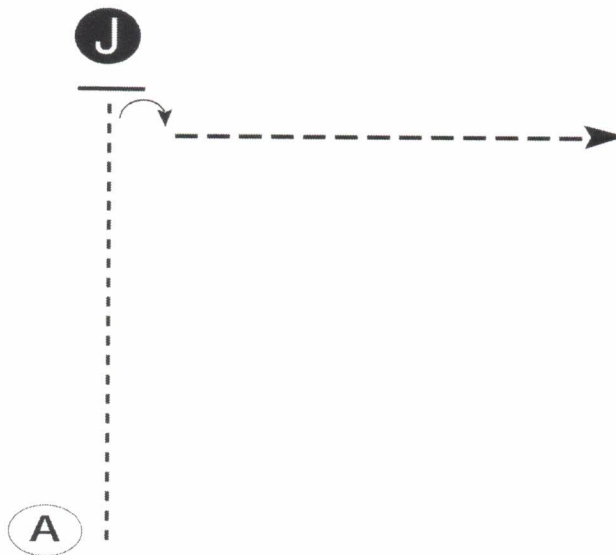
PtHAO Spring Fling

Western Showmanship Leadline (Class # 109)

Show Date: 04-05-2024

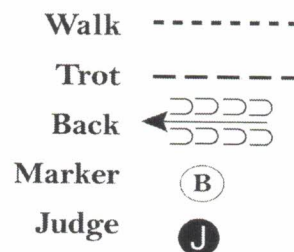
www.HorseShowPatterns.com

www.HorseShowPatterns.com



Be ready at A.

1. Walk from A to Judge.
2. Stop and set up for inspection.
3. When dismissed, perform a 90 degree turn.
4. Trot away from judge.
5. Follow the instructions of your ring steward.



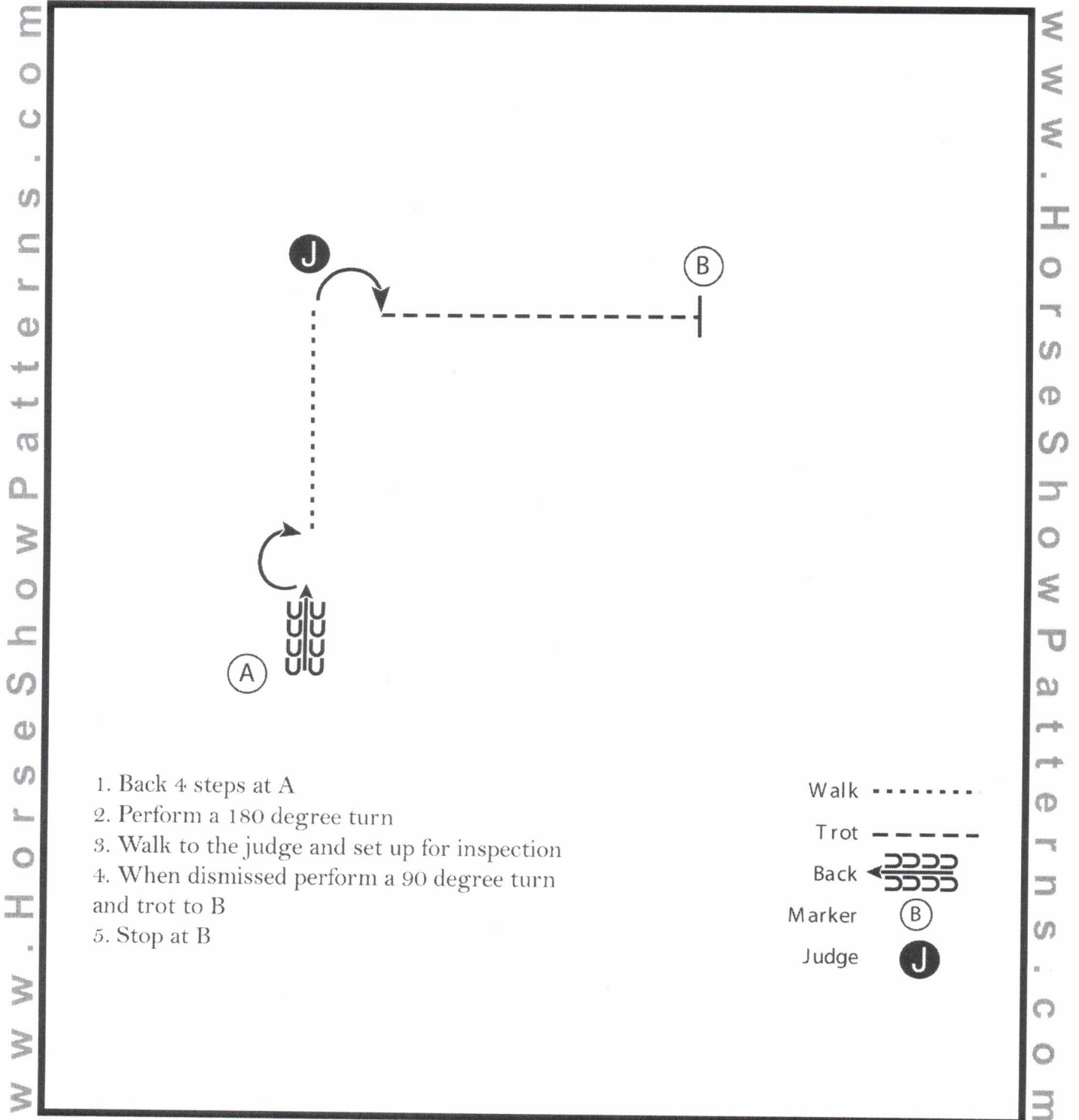
[SWT-13]

Pattern Provided by:
Pattern Committee

PtHAO Spring Fling

Am. W/T English Showmanship (Ext. walk for Jog Classes- 112-113)

Show Date: 04-05-2024



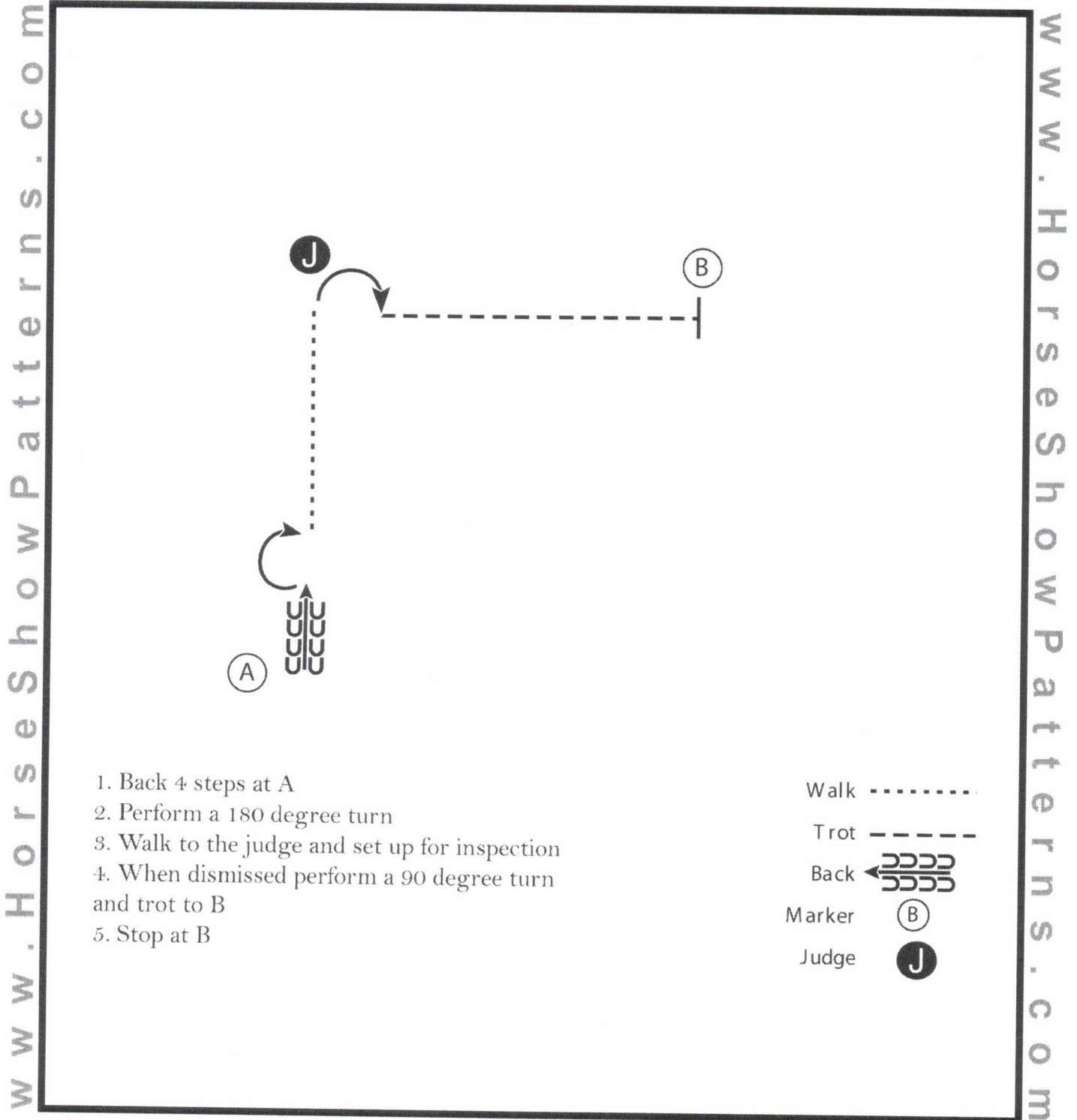
[S/1-2]

Pattern Provided by:
Pattern Committee

PtHAO Spring Fling

English Showmanship (Classes 114-125)

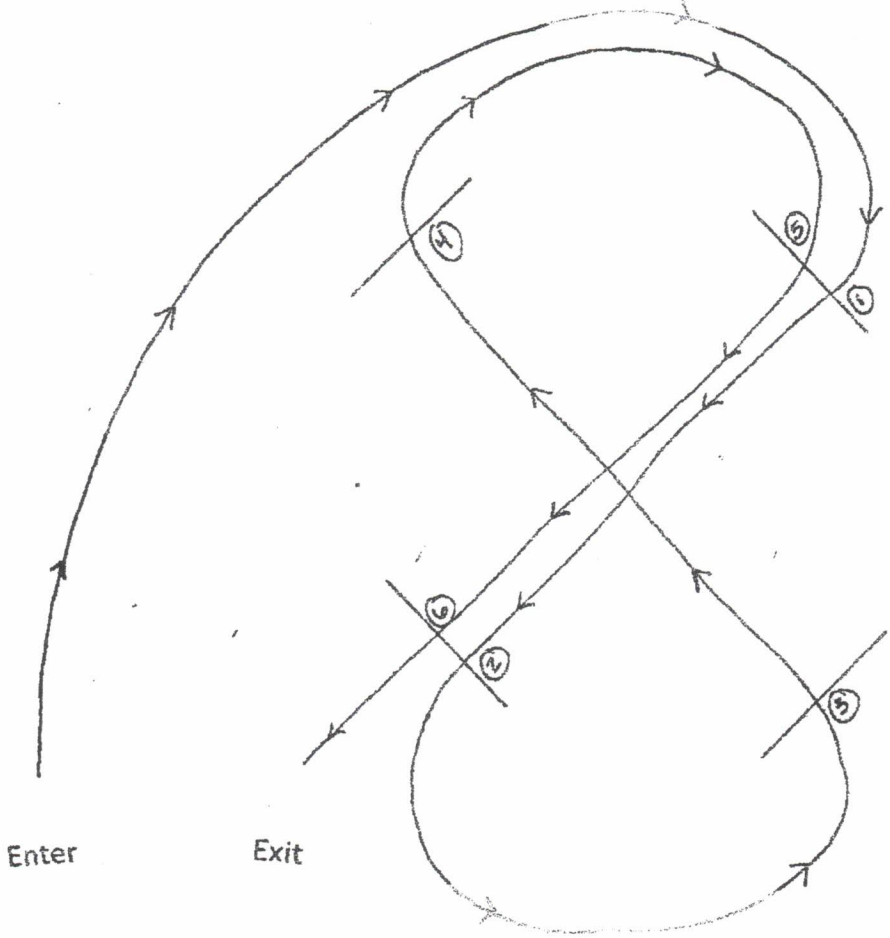
Show Date: 04-05-2024



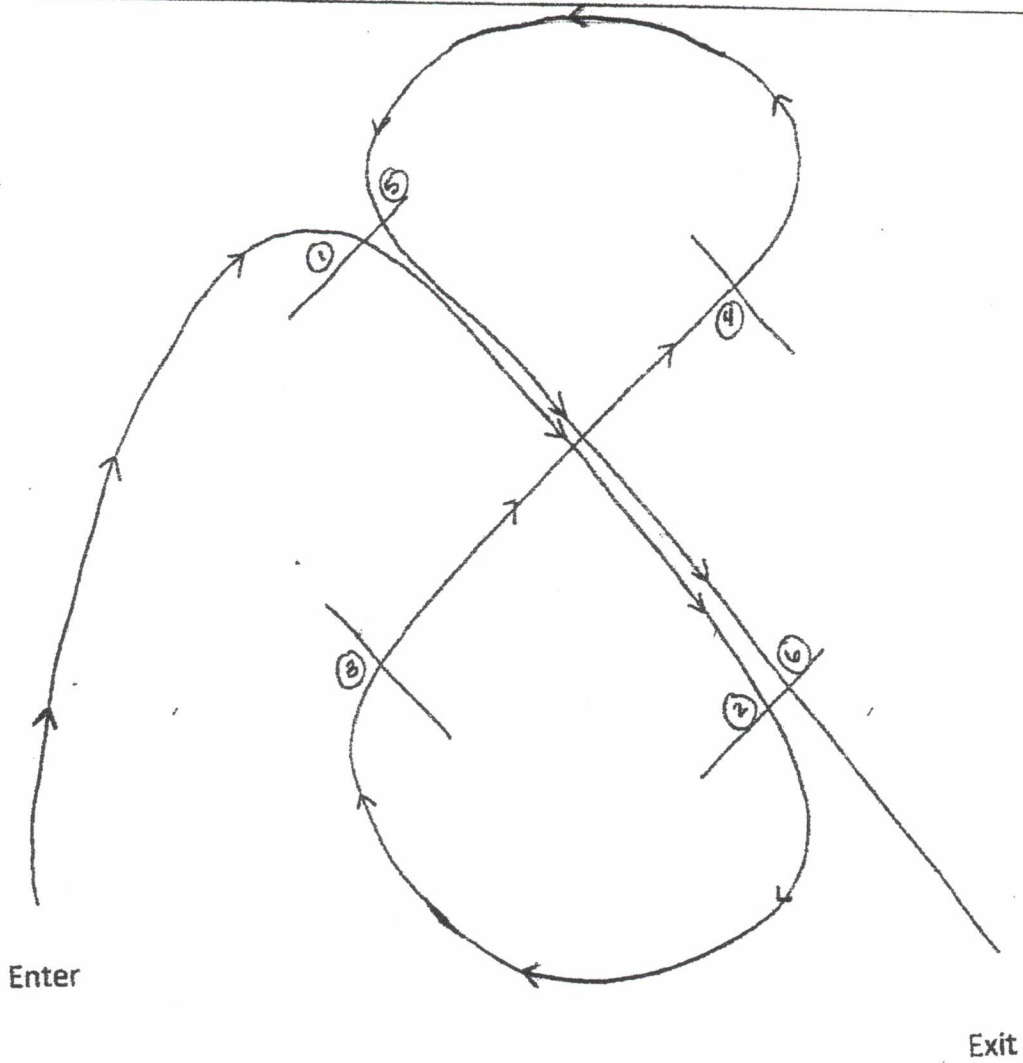
[S/1-2]

Pattern Provided by:
Pattern Committee

Hunter In Hand Classes 126-129



Jumping In Hand Classes 130-133



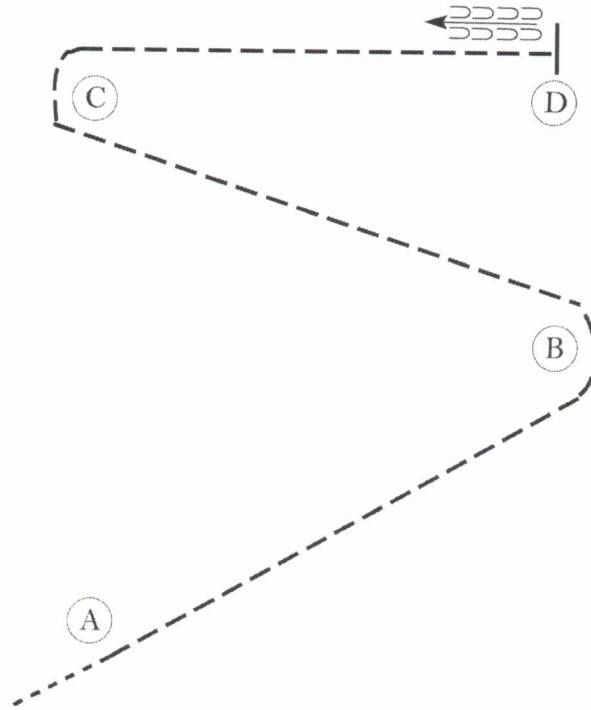
PtHAO Spring Fling

Walk/Trot English Equitation (Classes- 161-162-183-186)

Show Date: 04-05-2024

www.HorseShowPatterns.com

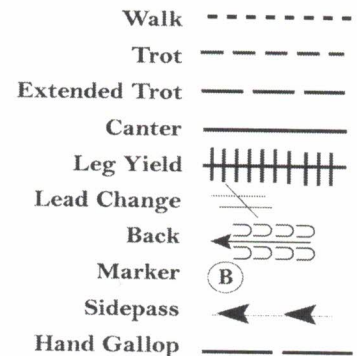
www.HorseShowPatterns.com



Be ready before A.

1. Walk to A.
2. Trot on the left diagonal from A to B, then change diagonals.
3. Trot on the right diagonal from B to C.
4. Sitting trot from C to D.
5. Stop at D and back approximately one horse length.

Walk to exit or follow instructions of your ring steward.



[HSE/WT-33]

Pattern Provided by:
Pattern Committee

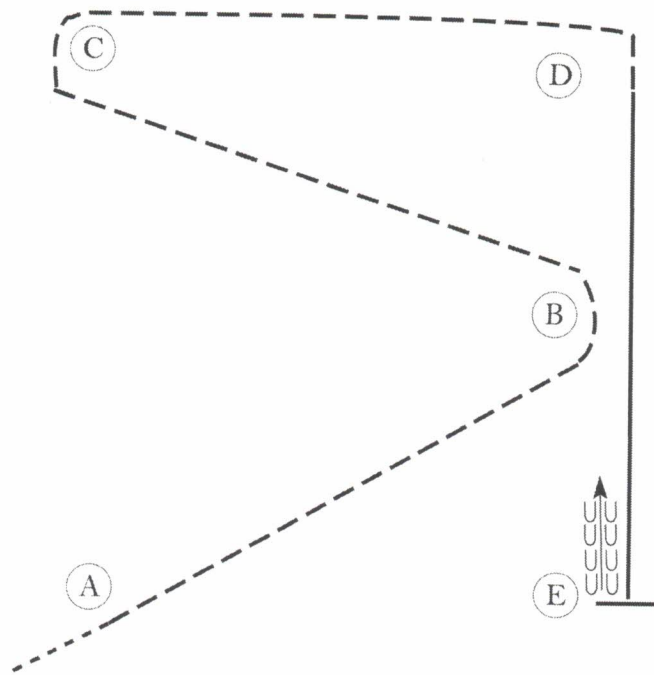
PtHAO Spring Fling

English Equitation (Classes- 187-193)

Show Date: 04-05-2024

www.HorseShowPatterns.com

www.HorseShowPatterns.com



Be ready before A.

1. Walk to A.
2. Trot on the left diagonal from A to B, then change diagonals.
3. Trot on the right diagonal from B to C.
4. Sitting trot from C to D.
5. Canter on the right lead from D to E.
6. Stop at E and back approximately one horse length.

Walk to exit or follow instructions of your ring steward.

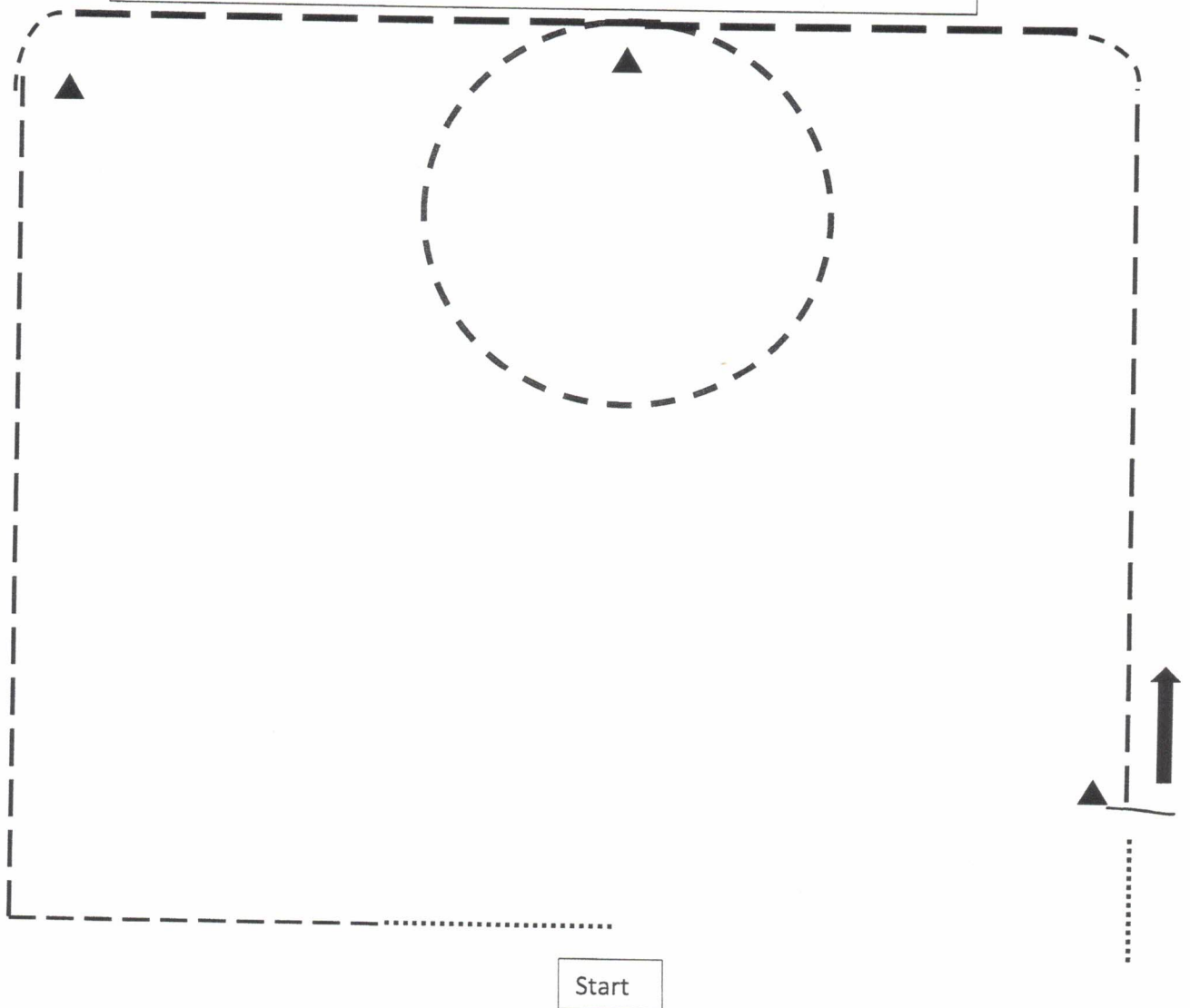
Walk	-----
Trot	- - - - -
Extended Trot	— — — — —
Canter	—————
Leg Yield	
Lead Change	↗ ↘
Back	← ← ← ← ←
Marker	⊙ B
Sidepass	← ← ← ← ←
Hand Gallop	— — — — —

[HSE/1-33]

Pattern Provided by:
Pattern Committee

Amateur/Youth Reinsmanship Classes- 198-199

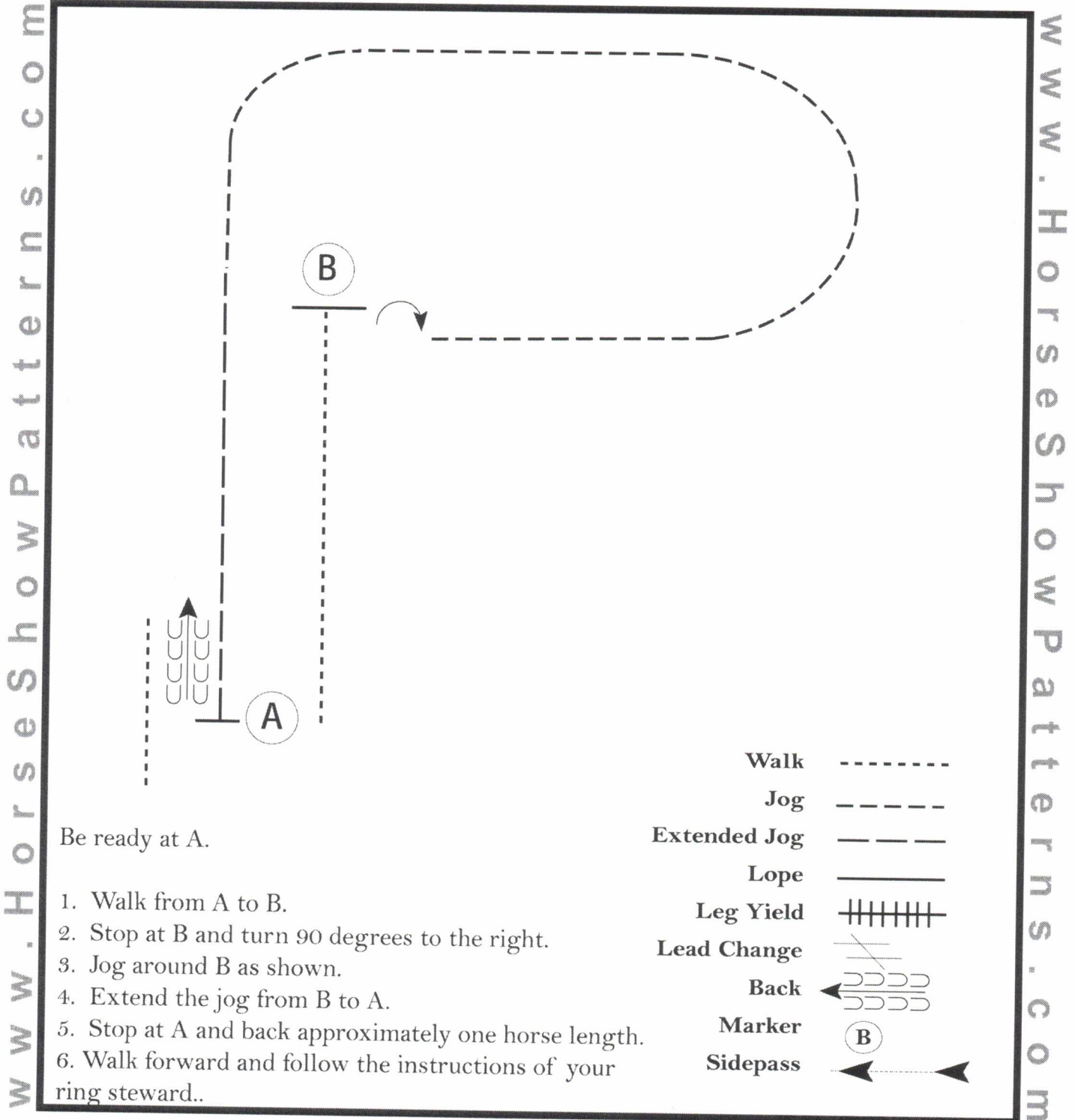
1. Walk up 5 steps.
2. Slow trot to the corner
3. Working trot up the side.
4. Turn at cone, and perform a strong trot to B.
5. Collect and perform a working trot circle around B.
6. Working trot to C and stop.
7. Back 5 steps & hesitate.
8. Walk to exit.



PtHAO Spring Fling

Walk/Trot Western Horsemanship (Classes 226-227 - 248-251)

Show Date: 04-05-2024



[WH/WT-53]

Pattern Provided by:
Pattern Committee

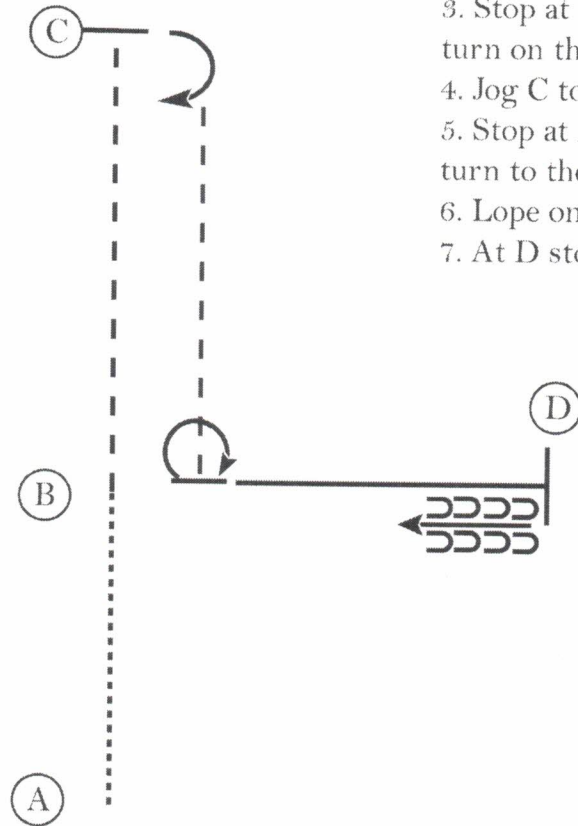
PtHAO Spring Fling

Western Horsemanship (Classes- 252-258)

Show Date: 04-05-2024

www.HorseShowPatterns.com

www.HorseShowPatterns.com



1. Walk A to B.
2. At B jog to C.
3. Stop at C and perform a 180 degree turn on the hindquarter to the right.
4. Jog C to B.
5. Stop at B and perform a 270 degree turn to the right on the hindquarter.
6. Lope on the left lead to D.
7. At D stop and back three steps.

Walk
Jog	-----
Extended Jog	-----
Lope	—————
Leg Yield	
Lead Change	↘
Back	← C C C C C C
Marker	(B)
Sidepass	←- - - - ->

[WH/1-13]

Pattern Provided by:
Pattern Committee